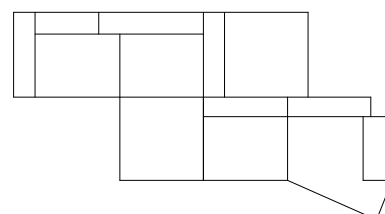


Example of composition: w.325 – d.100/155 cm
w.138^{5/8}” – d.39^{3/8}”/61”



Example of composition: w.450 – d.250 cm
w.177^{1/8}” – d.98^{3/8}”

Freestyle is a modular system that exploits the endless combination possibilities of the pieces to create linear and corner solutions in total freedom. The seats can be joined to backs in varying sizes symmetrically or asymmetrically, playing with the cover colours to create combinations in different shades or more traditional single-colour solutions. Freestyle also has two types of arm: a classical piece that flanks the structure, level with the back, or a side cushion joined to the seat. As well as the traditional seats there is also a trapezoid end piece that offers further possible composition forms.

Freestyle is completed by additional back cushions in three sizes that can be used in the number and fabric type desired. The stitching on the front of the seat and arm lends further elegance to the product.

Available finishes

Fabric, leather

Materials

Seat

The internal structure is a solid Fir wood frame and chipboard, with elastic straps. Padding in variable density high-resistance polyurethane foam. Light velvet cover.

Seat with cushions

The internal structure is a solid Fir wood frame and chipboard, with elastic straps. Padding in variable density high-resistance polyurethane foam. Light velvet cover.

Arm and back

The internal structure is a solid Fir wood frame and chipboard, with elastic straps. Padding in variable density high-resistance polyurethane foam. Light velvet cover.

Additional cushions

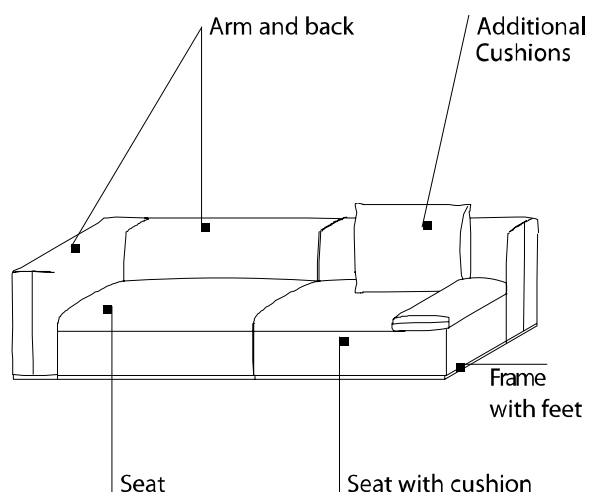
Cushion filled with polyurethane flakes and sterilised feathers, 100% cotton cover.

Frame with feet

Painted steel with adjustable feet in non-slip plastic.

Outer covers

Removable



Components

Seats

w.125 – d.75 – h.37 cm
L49^{1/4"} – P29^{1/2"} – H14^{5/8"}



w.100 – d.75 – h.37 cm
w.39^{3/8"} – d.29^{1/2"} – h.14^{5/8"}

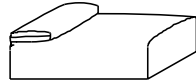


w.75 – d.75 – h.37 cm
w.29^{1/2"} – d.29^{1/2"} – h.14^{5/8"}



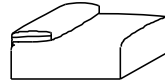
Seats with cushions

w.125 – d.75 – h.37/50 cm
w.49^{1/4"} – d.29^{1/2"} – h.14^{5/8"/19^{3/4"}}



left

w.100 – d.75 – h.37/50 cm
w.39^{3/8"} – d.29^{1/2"} – h.14^{5/8"/19^{5/8"}}



left

End

w.125 – d.75/125 – h.37 cm
w.49^{1/4"} – d.29^{1/2"/49^{1/4"}} – h.14^{5/8"}



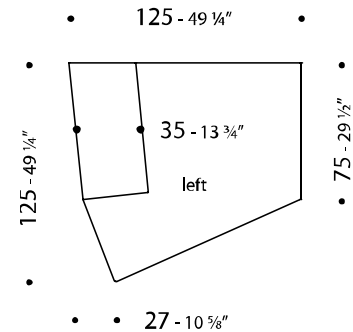
left

w.125 – d.75/125 – h.37/50 cm
w.49^{1/4"} – d.29^{1/2"/49^{1/4"}} – h.14^{5/8"/19^{5/8"}}



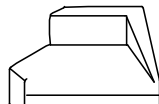
left

plan view – dimensions detail



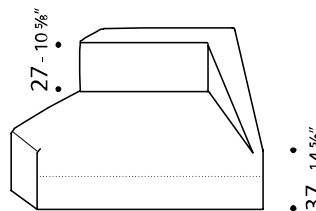
Island element

L120/150 – P100/130 – H37/64 cm
L47^{1/4"}/59" – P39^{3/8"}/51^{1/8"} – H14^{5/8"/25^{1/4"}}

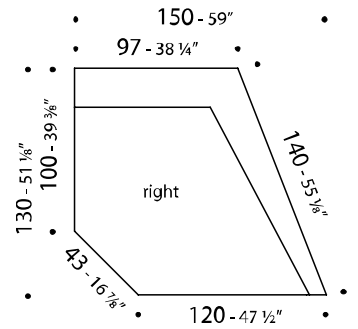


right

height dimensions detail

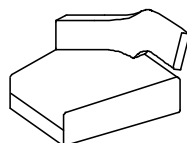


plan view – dimensions detail



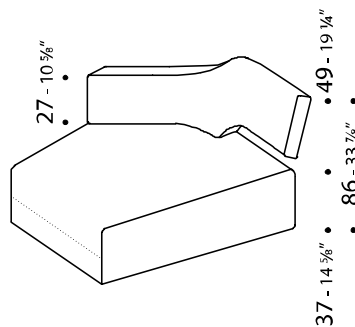
Chaise longue

L150 – P100/155 – H37/64/86 cm
L59" – P39^{3/8"/61"} – H14^{5/8"/25^{1/4"/33^{7/8"}}}

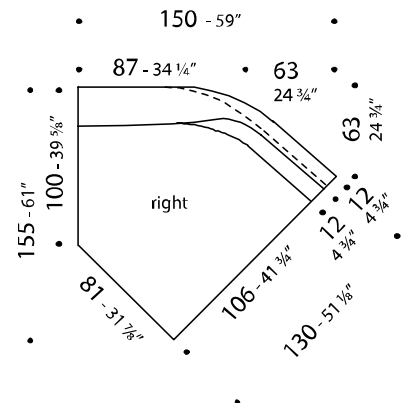


right

height dimensions detail



plan view – dimensions detail

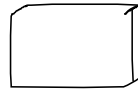


Back

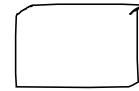
w.125 – d.25 – h.64 cm
w.49^{1/4"} – d.9^{7/8"} – h.25^{1/4"}



w.100 – d.25 – h.64 cm
w.39^{3/8"} – d.9^{7/8"} – h.25^{1/4"}

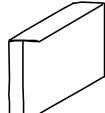


w.75 – d.25 – h.64 cm
w.29^{1/2"} – d.9^{7/8"} – h.25^{1/4"}



Arm

w.25 – d.100 – h.64 cm
w.9^{7/8"} – d.39^{3/8"} – h.25^{1/4"}

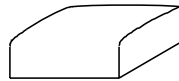


Pouffs

w.125 – d.100 – h.37 cm
w.49^{1/4"} – d.39^{3/8"} – h.14^{5/8"}



w.100 – d.100 – h.37 cm
w.39^{3/8"} – d.39^{3/8"} – h.14^{5/8"}

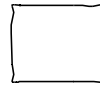


Additional cushions

w.80 – h.60 cm
w.31^{1/2"} – h.23^{5/8"}



w.70 – h.60 cm
w.27^{1/2"} – h.23^{5/8"}



L60 – H60 cm
L23^{5/8"} – H23^{5/8"}



Use and maintenance

The product was designed for domestic use; never stand on structural parts. Avoid doing maintenance on components of products yourself, contacting your retailer with regard to any problem that may arise. Everyday use results in some compression of the padded parts during standard product life-span. Any odours given off by the product when unpacked are not toxic and disappear when in an aired room.

When the product must be moved, keep it off the floor to avoid damage to parts that rest on the floor.

Maintenance - Covers

See covers information sheet (in the download section on the web site www.molteni.it).

The seat must be removed to remove the cover. Raise the seat by pulling the handle at the back of the seat outwards. This also allows removal of the dust that forms beneath the settee without having to move it.

Weekly cushion care

Fluff up cushions by hand, taking care to alternate the positions of the cushions used most often with the lesser used ones. To fluff cushions up, shake all sides of the cushion (sides, tops and bottoms). This should be done after removing the cushions from the structure for improved air circulation.

Monthly cushion care

Remove cushion covers and fluff up as described above. After doing this, leave the upholstered parts to air – in the open if possible – for 30 minutes before replacing the covers.

Disposal

Once discarded, neither the product nor its components should be abandoned in an unauthorised area, but taken to a municipal dump.